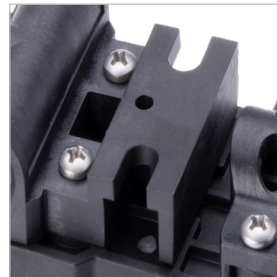


NELSON E02 SOLENOID

The first durable solenoid built to withstand rugged agricultural and industrial environments.



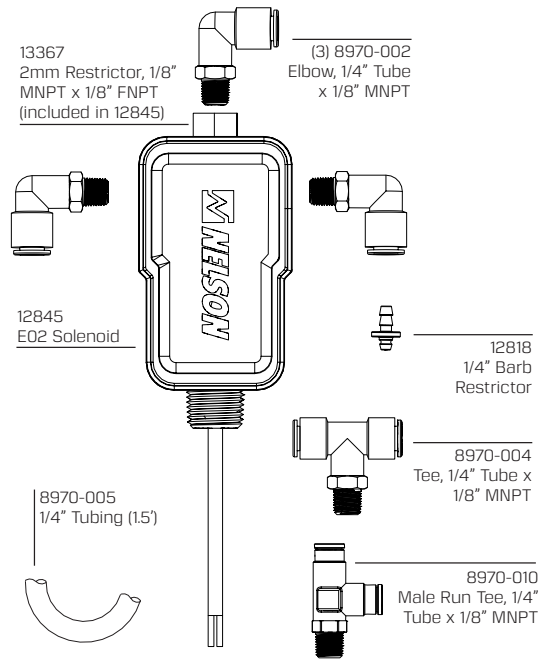
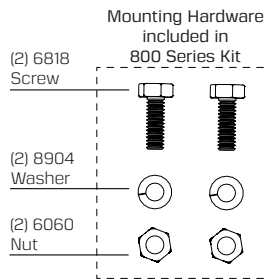
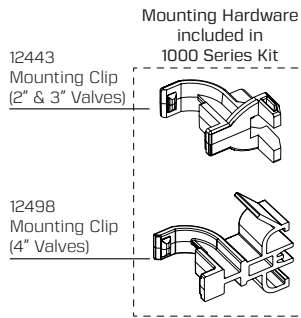
FEATURES:

- Removable wire leads
- Adaptable orifice: increase the reaction speed of the valve by removing the 2 mm orifice restriction
- Integrated mounting to 800 and 1000 Series valves
- Sealed enclosure: no coil exposed to water
- Designed for TWIG® Wireless Automation

SPECIFICATIONS:

- 12 VDC Latching
- 60 msec pulse
- 1/8" FNPT ports
- 175 psi (12 bar) max pressure
- 4 mm internal orifice, 2 mm with installed adapter
- 1/2" MNPT conduit connection with 24" wire leads

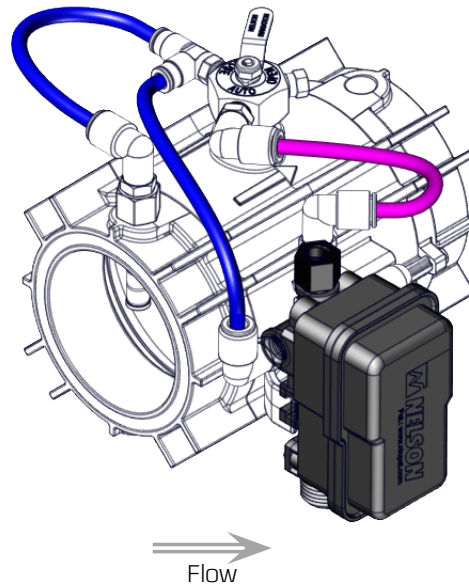
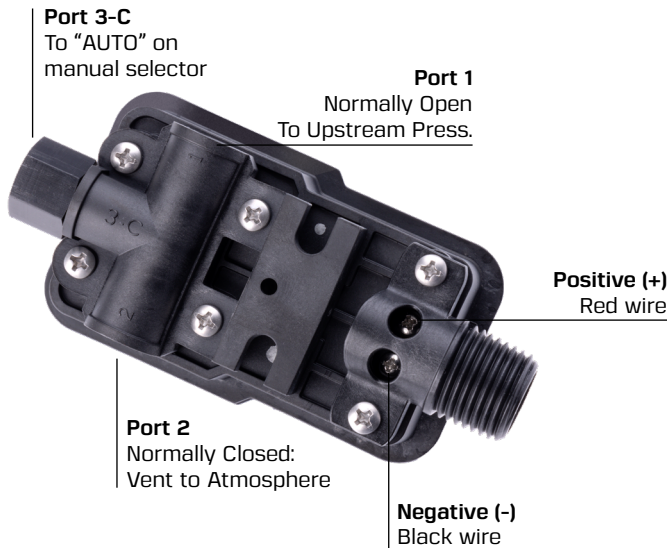
PART #	DESCRIPTION
12845	E02 solenoid only
8925-032	E02 solenoid kit for 800 Series valves
12575-002	E02 solenoid kit for 1000 Series valves



PORTS AND PLUMBING

Additional plumbing diagrams available at www.nelsonirrigation.com

L01 Solenoid Plumbing Logic:
 Solenoid ENERGIZED: valve is open
 Solenoid DE-ENERGIZED: valve is closed



WARRANTY AND DISCLAIMER: Nelson control valves and accessories are warranted for one year from date of original sale to be free of defective materials and workmanship when used within the working specifications for which the products were designed and under normal use and service. The manufacturer assumes no responsibility for installation, removal or unauthorized repair of defective parts. The manufacturer's liability under this warranty is limited solely to replacement or repair of defective parts and the manufacturer will not be liable for any crop or other consequential damages resulting from defects or breach of warranty. THIS WARRANTY IS EXPRESSLY IN LIEU OF ALL OTHER WARRANTIES, EXPRESS OR IMPLIED, INCLUDING THE WARRANTIES OF MERCHANTABILITY AND FITNESS FOR PARTICULAR PURPOSES AND OF ALL OTHER OBLIGATIONS OR LIABILITIES OF MANUFACTURER. No agent, employee or representative of the manufacturer has authority to waive, alter or add to the provisions of this warranty, nor to make any representations or warranty not contained herein. Protected by US Patent #10,508,751. Additional patents may be pending in the U.S. and/or in foreign jurisdictions. See www.nicpat.com for details.