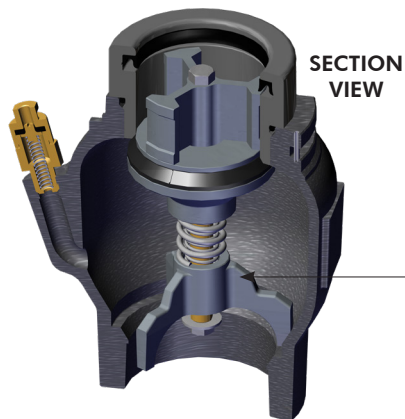
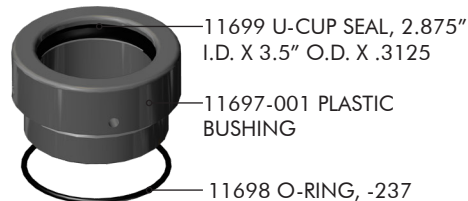


# QC150 VALVE & KEY

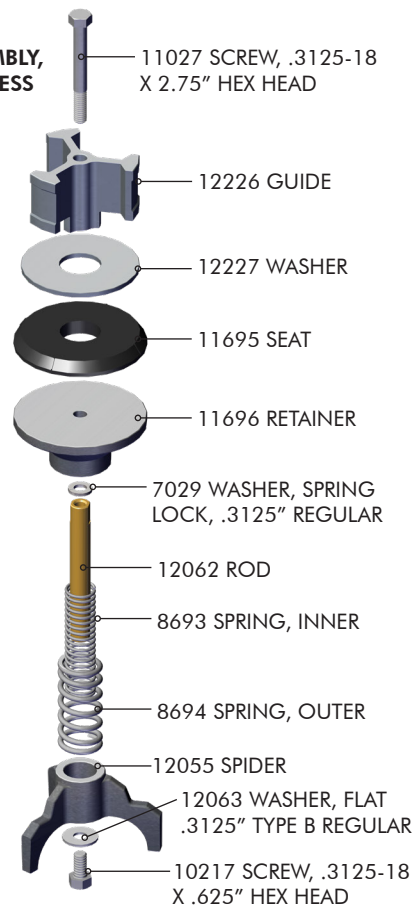
## QC150 VALVE PARTS LIST



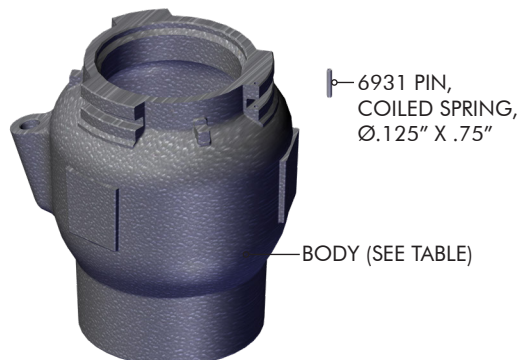
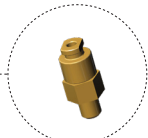
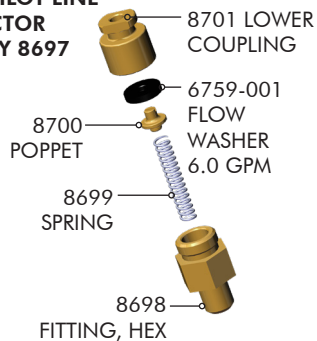
QC150 VALVE	CONNECTION	BODY
11691-001	3" FNPT	11690-001
11691-002	3" FBSP	11690-002



**GUIDE ASSEMBLY, SEAL, STRUTLESS 11693-001**



**LOWER PILOT LINE CONNECTOR ASSEMBLY 8697**



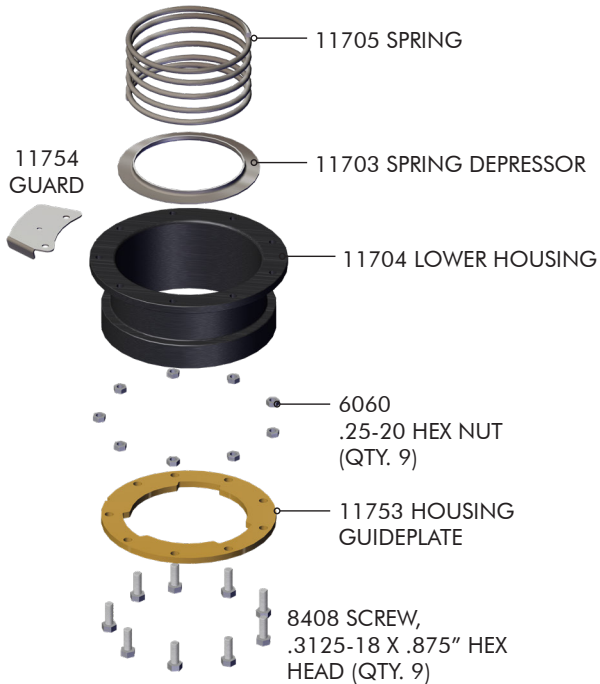
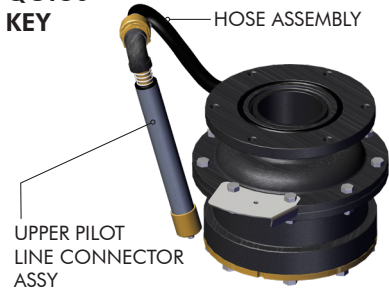


QC150 KEY	CONTROL
11692	MANUAL

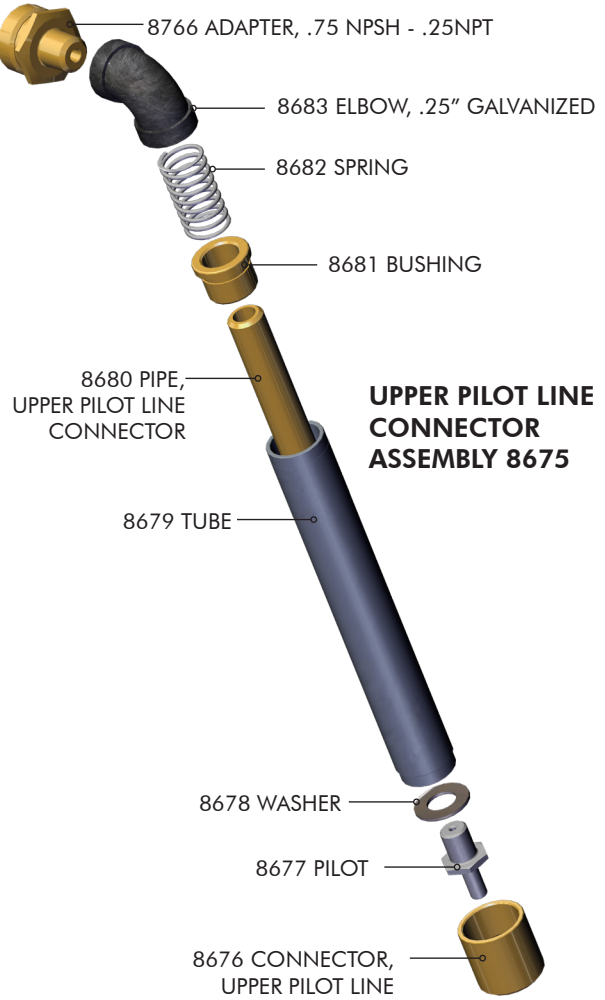
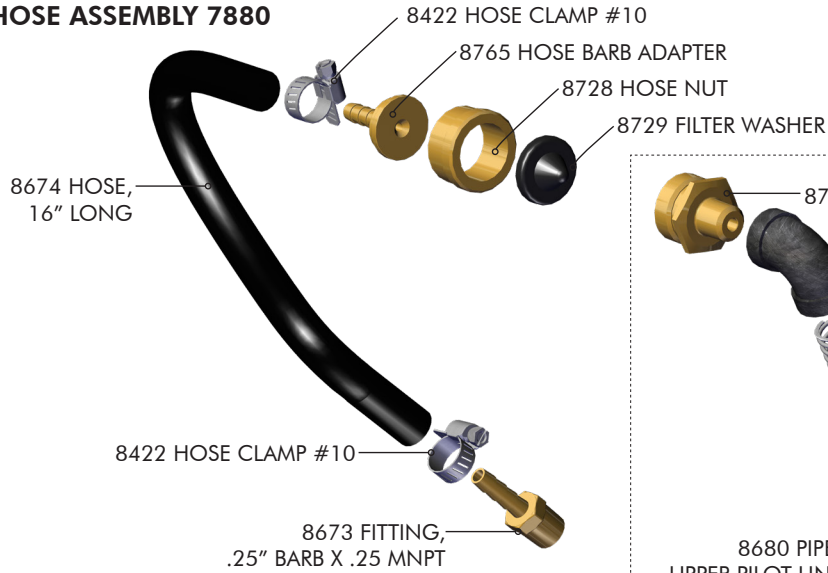
### SECTION VIEW



### 11692 MANUAL QC150 KEY



## HOSE ASSEMBLY 7880



**WARRANTY AND DISCLAIMER**

Nelson products are warranted for one year from date of original sale to be free of defective materials and workmanship when used within the working specifications for which the product was designed and under normal use and service. The manufacturer assumes no responsibility for installation, is limited solely to replacement or repair of defective parts, and the manufacturer will not be liable for any crops or other consequential damages resulting from any defects or breach of warranty. THIS WARRANTY IS EXPRESSLY IN LIEU OF ALL OTHER WARRANTIES, EXPRESS OR IMPLIED, INCLUDING THE WARRANTIES OF MERCHANTABILITY AND FITNESS FOR PARTICULAR PURPOSES AND OF ALL OTHER OBLIGATIONS OR LIABILITIES OF MANUFACTURER. No agent, employee or representative of the manufacturer has authority to waive, alter or add to the provision of the warranty, nor to make any representations or warranty not contained herein.